

Introducing Quadrax D-Sub Connector

Quadrax D-Sub Connector



KEY FEATURES

Gigabit ethernet speeds with superior shielding performance

Rugged metal shell construction

Cable-to-cable and cable-to-board configurations

4 Quadrax connections in a size 3 shell — .5" x 2.0" window

Proven Quadrax design — easy to assemble

Q2Q in development - contact TE for information

DESCRIPTION

Four position, shell size 3, D-sub style connector
Cable-to-cable and cable-to-board versions

APPLICATIONS

Commercial Avionics Systems
Aircraft Data Networks
Military Communications
In-Flight Entertainment Systems

STANDARDS & SPECS

Product Specification:	108-2311
Qualification Test Report:	501-738
Application Specification:	114-13233

ENVIRONMENTAL

Temperature Range:	125° C
Salt Spray:	48 hours
Altitude Immersion:	50,000 ft.
Thermal Shock:	-65° C to +125° C
Humidity Temperature Cycling:	10 cycles between 25° C and 65° C at 80-100% humidity

ELECTRICAL

Meets requirements of TIA/EIA-568-B.2 for insertion loss, return loss, NEXT and FEXT

DWV - 1000 VRMS between adjacent signal contacts and 500 VRMS between signal contacts and outer shell

Low Level Contact Resistance:	15 milliohms max. initial 30 milliohms max. final
Insulation Resistance:	5000 megohms minimum
Shell to Shell Conductivity:	2.5 milliohms max.

MECHANICAL

Random Vibration:	16.4 G's RMS between 50 to 2000 Hz
Mechanical Shock:	50 G's half sine pulses of 11 millisecond duration
Durability:	100 cycles
Contact Retention:	35 lbs. minimum

Quadrax D-Sub Connector

MATERIALS

Shells:	Nickel plated aluminum
Mating Hardware:	Stainless steel
Strain Relief:	Thermoplastic
Contact Shells:	Copper alloy, Gold Plate
Dielectrics:	Thermoplastic
Interfacial Seal:	Fluorosilicone

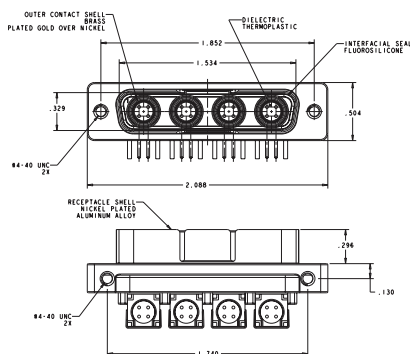
APPLICATION TOOLING

Inner Contacts:	M225202-01 Hand Tool with K709 Positioner
Outer Shell:	M22520/5 Hand Tool with Die Set M22520/5-45
Ferrule Insertion Tool:	Pin - 1976593-2 Socket - 1976593-1
Extraction Tool:	1738894-1

PART NUMBERS & DIMENSIONS

Right Angle PCB Mount Receptacle

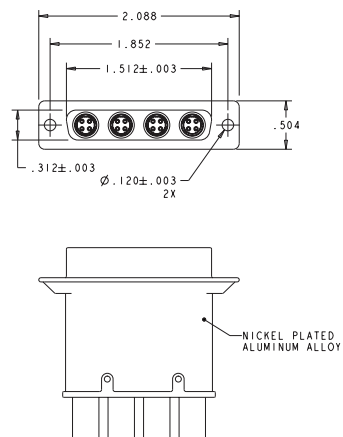
2000314-1 - w/Interfacial Seal
2000314-2 - w/o Interfacial Seal



Accepts standard AMPIMITE Boardlock Hardware (sold separately)

Plug Kit

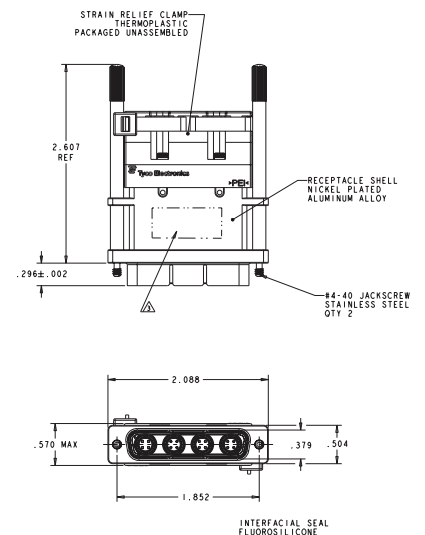
2000317-1
Reference cables - Tensolite: NF24Q100, NF26Q100, 24443/03130X-4 (LD), 24443/9P025X-4 (LD); Raychem: CEC-RWC-18687, CEC-RWC-18664
2000317-2
Reference cables - DRAKA F4703-3, F4704-4



Socket contacts included in kit. Accepts standad AMPLIMITE screwlock hardware (sold separately)

Panel Mount Receptacle Kit

2000263-1



Jackscrews, Strain Relief, and Crimp Pin Contacts included in kit.

FOR MORE INFORMATION

te.com/ADM

TE Technical Support Center

Internet:	www.te.com/ADM
E-mail:	product.info@te.com
USA:	+1 (800) 522-6752
Canada:	+1 (905) 475-6222
Mexico:	+52 (0) 55-1106-0800
Latin/S. America:	+54 (0) 11-4733-2200
Germany:	+49 (0) 6251-133-1999
UK:	+44 (0) 800-267666
France:	+33 (0) 1-34-20-8686
Netherlands:	+31 (0) 73-6246-999
China:	+86 (0) 400-820-6015

te.com/ADM

© 2011 Tyco Electronics Corporation, a TE Connectivity Ltd.
Company. All Rights Reserved.
4-1773460-2 2.5M ADM/FP 04/2011

TE Connectivity and TE connectivity (logo) and TE (logo) are trademarks. Other logos, product and/or company names might be trademarks of their respective owners.

While TE has made every reasonable effort to ensure the accuracy of the information herein, nothing herein constitutes any guarantee that such information is error-free or any other representation, warranty or guarantee that the information is accurate, correct, reliable or current. The TE entity issuing this publication reserves the right to make any adjustments to the information contained herein at any time without notice. All implied warranties of merchantability or fitness for a particular purpose are expressly disclaimed. The dimensions herein are for reference purposes only and are subject to change without notice. Specifications are subject to change without notice. Consult TE for the latest dimensions and design specifications.

