

CM-R CAN Module Rotary Keypad

CANbus enabled, watertight operator control module for heavy duty equipment.



CAN Keypad is a CANbus-enabled module with software-controllable programming options for intuitive operation of off-road vehicles and heavy equipment. The rugged module mounts horizontally or vertically into panels and armrests.

Each of the six buttons has three RGB LEDs on the outer edge that can be set to nearly any color and light intensity. The center encoder has configurable starting and roll-over position values.

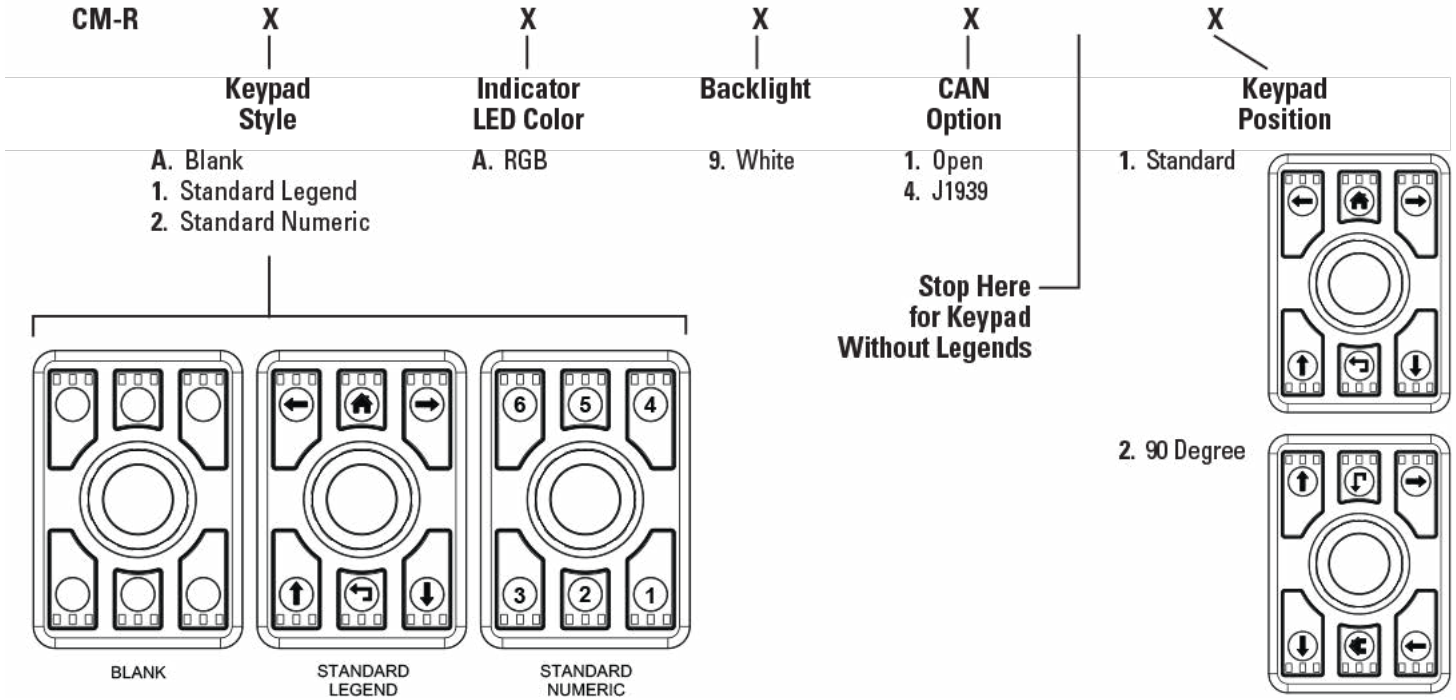
The CAN Keypad can communicate with other CAN products, including OTTO Controls' CAN joysticks and CAN Rocker, on the same network. It can act as a base module for daisy-chaining up to seven CAN Rocker expansion modules.

Product Features

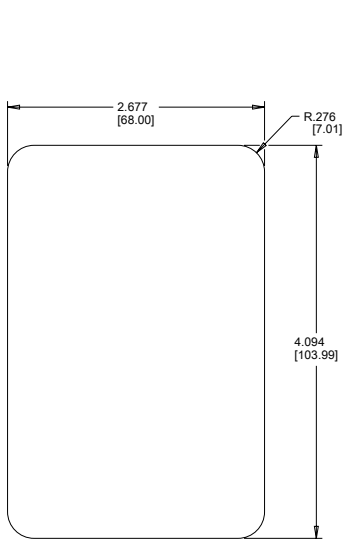
- CANbus J1939 or CANopen output
- Integral Deutsch[®] connector
- Easily snaps into panels or armrests
- Select RGB LED colors, brightness and either synchronized or individual flashing with CAN messages
- Customize legends or choose from many standard options
- Center encoder with pushbutton
- Separate input and output connector to easily daisy-chain devices
- Up to 1 million cycles
- Withstands -40°C to +85°C operating temperatures
- Sealed to IP68S



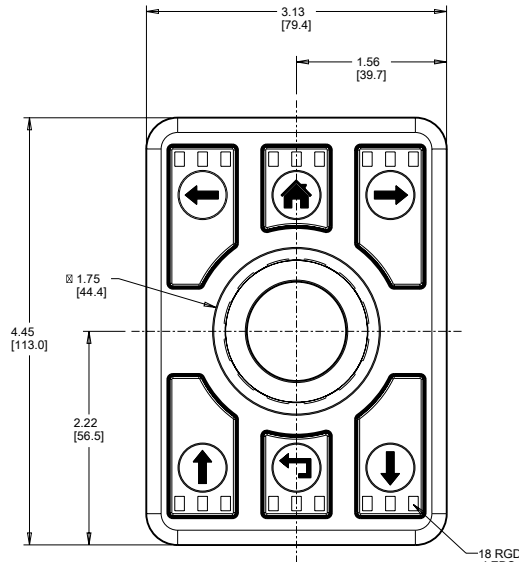
CM-R PART NUMBER CODE



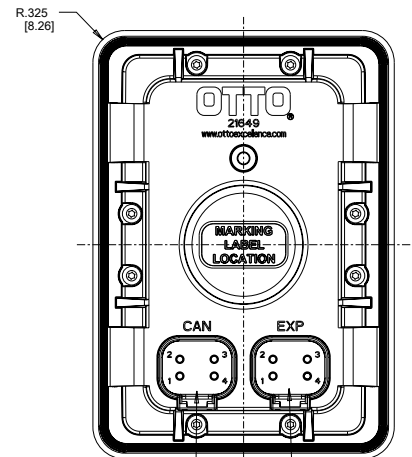
The standard CAN Keypad ships with a default configuration with pre-specified communications parameters. The CAN Keypad module may be ordered pre-configured to customer parameters to drop into a customer CAN network. In these cases, OTTO will establish a customer-specific part number tailored for every instance of a CAN Keypad module used. Consult with an OTTO salesperson for special pricing and more information. Refer to *User Manual* (OTTO P/N: **804486-1**).



RECOMMENDED
PANEL OPENING
(PANEL THICKNESS: .098±.039)



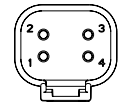
VIEW SHOWN WITH OPTIONAL
BACKLIT KEYPAD LEGENDS



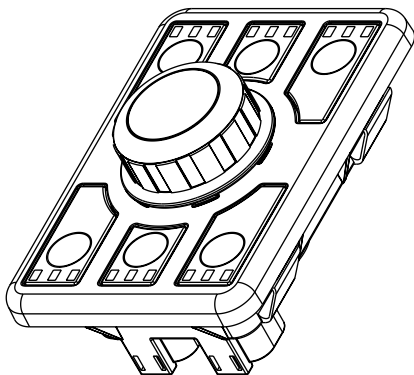
MATES WITH DEUTSCH DT06-4S
WITH W4S WEDGE LOCK

DT06-4S-C017 SEALED
CONNECTOR PLUG

CONNECTOR PIN-OUT



PIN #	CAN / EXP
1	POWER
2	GROUND
3	CAN HIGH
4	CAN LOW



SCALE 1:2

