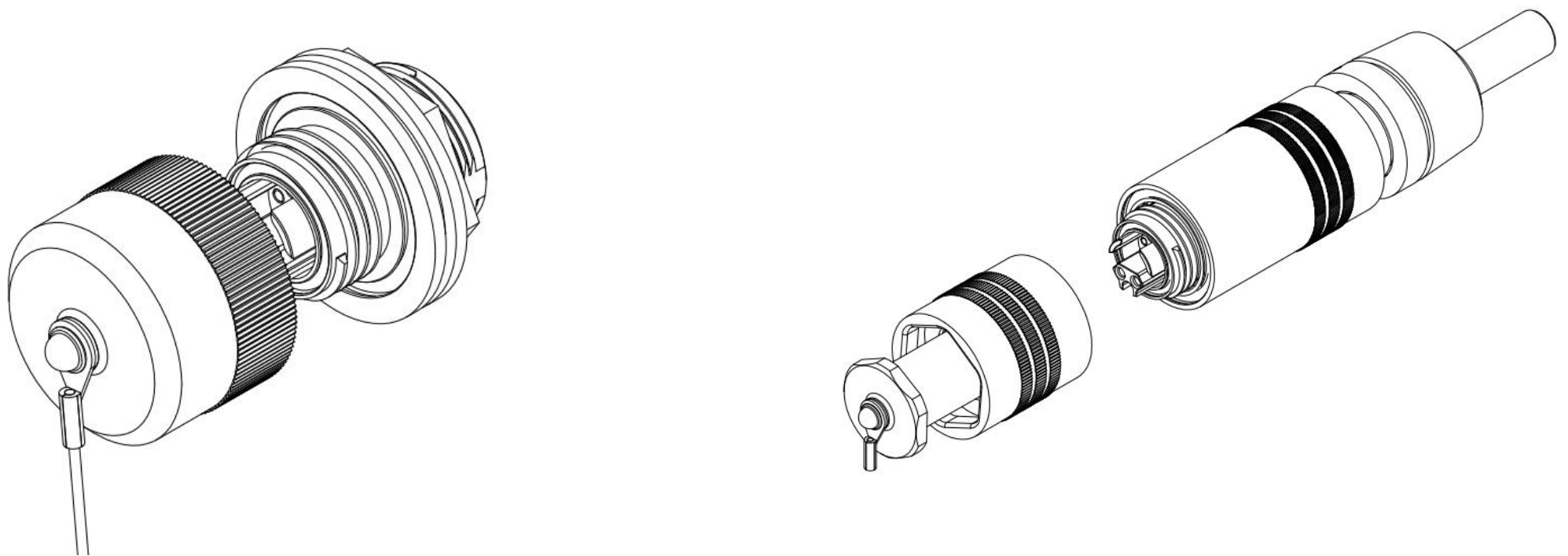


FFOCA

-FOSTEC Fiber Optic Cable Assembly-

ABOUT

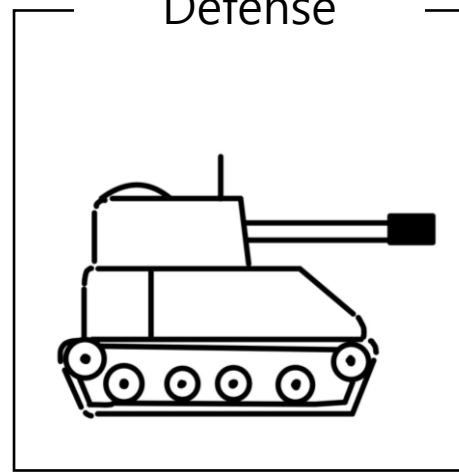
FFOCA , Harsh environment fiber optic connector is complied with MIL-DTL-83526 Military specification. It is physical contact type connector and designed to use for military ground tactical applications such as Army, Navy and Military tactical communication system. Additionally, it can be used for harsh environment outdoor circumstances in Railway, Mining, Event industry, Broadcast and Oil & Gas plant industries. It has hermaphroditic design and connectors can be mated each other without adapter. It provides great optical performances for both single mode and multi mode and 4ch optical connection can be available.



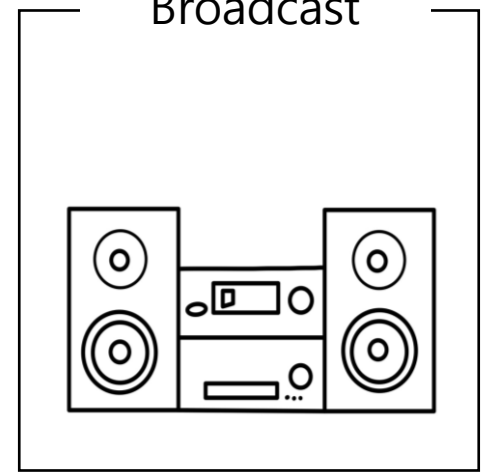
APPLICATION

- Mission Critical Combat and Communication Systems
- Mobile Tactical Shelters Electronic Battlefield Networks
- Navy shipboard, Surface Craft and Submarines
- Mining and Tunneling Equipment
- Offshore, Subsea System
- Oil and Gas Plant industries
- Communicating and control system for Railway

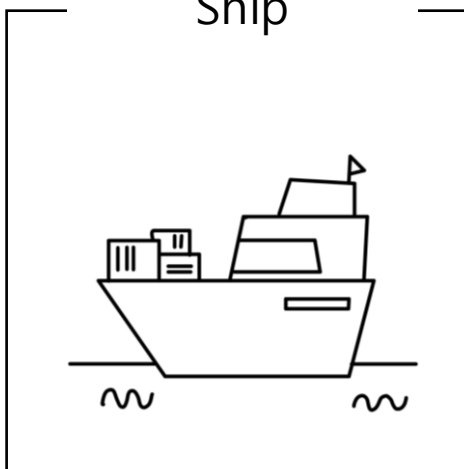
Defense



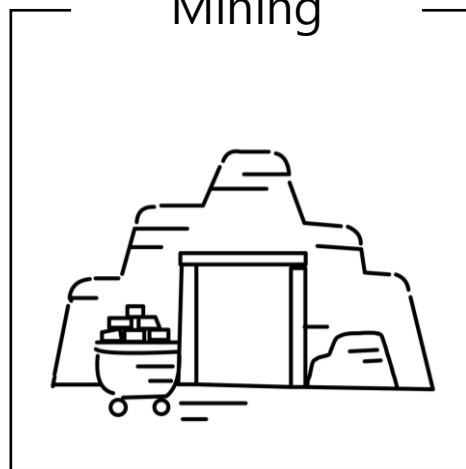
Broadcast



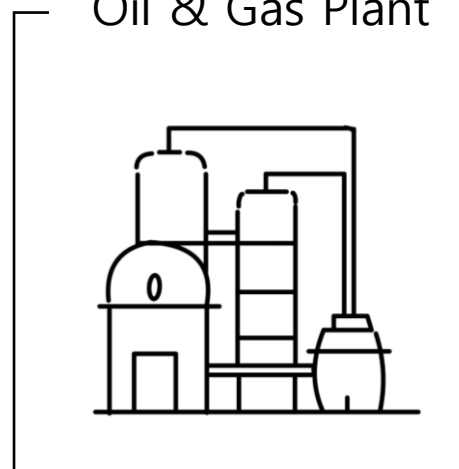
Ship



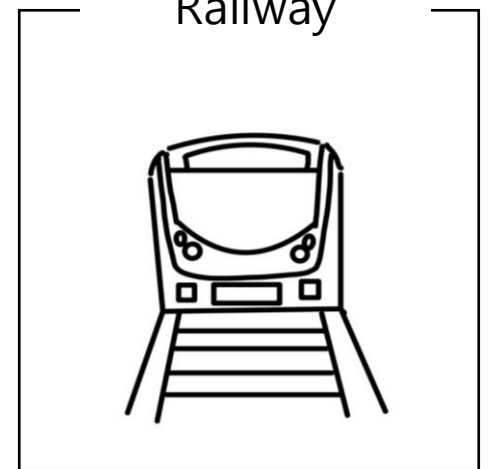
Mining



Oil & Gas Plant



Railway

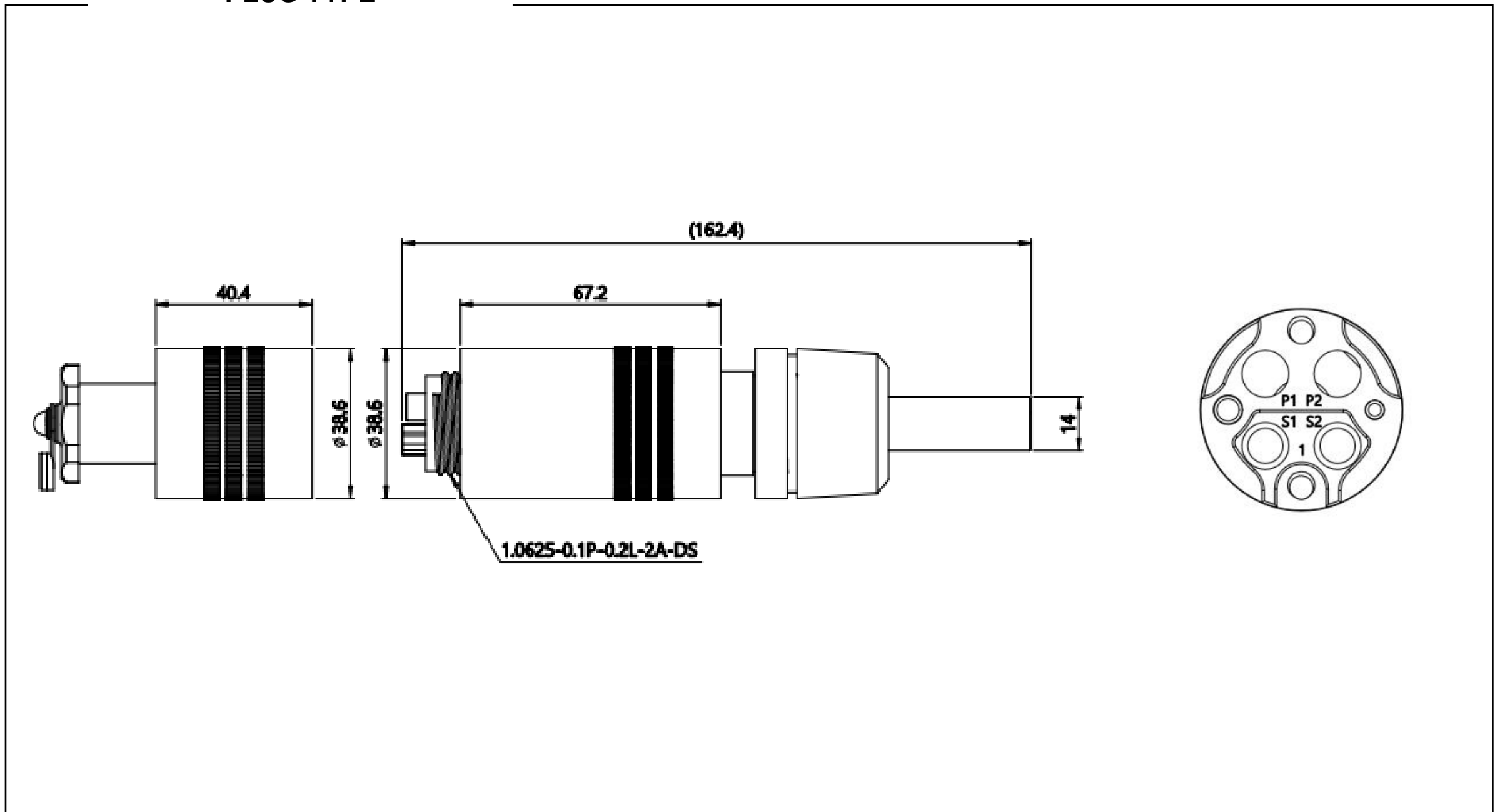


SPECIFICATION

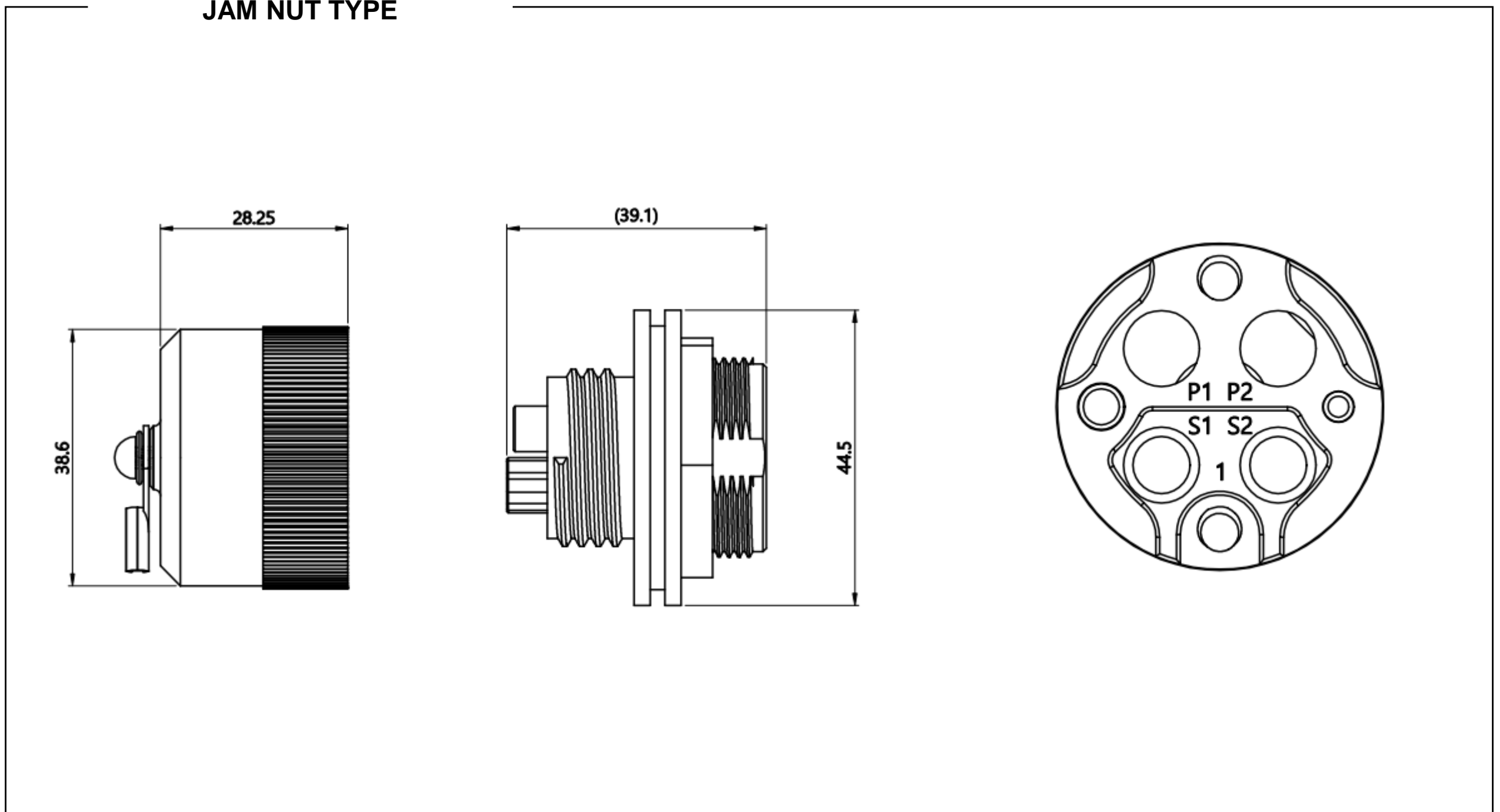
Parameter	Multimode(@850nm/1300nm)	Single mode(@1310nm/1550nm)
Insertion Loss	4ch Typical 0.3dB, Max 0.75dB	4ch Typical 0.4dB, Max 0.75dB
Return Loss	-	> 40dB(typical 50dB)
Operating temperature	-46°C to +71°C	
Storage temperature	-55°C to +85°C	
Durability	2,000 Cycles	
Water Immersion	IP68	
Impact	8 Impacts @ 8FT (2.4MT);EIA/TIA-455-2	
Vibration	10 to 2000Hz / 15g EIA/TIA-455-11; Cond. III	
Cable Retention	400lbs – Cable retention depends on cable type	

CONFIGURATION

PLUG TYPE



JAM NUT TYPE



ORDERING INFORMATION

FCA - A - B - C - D - E - F - G - H

e.g. **FCA - P - A - 4 - 09 - B - A - 55 - 1M**

- A: CONNECTOR TYPE END A
- B: MATERIAL / SHELL FINISH
- C: NUMBER OF FIBER
- D: FIBER TYPE
- E: WAVELENGTH
- F: CABLE DIAMETER
- G: CONNECTOR TYPE END B
- H: TOTAL CABLE LENGTH

A: CONNECTOR TYPE END A

- P - PLUG
- BD - BULKHEAD D-HOLE

E: WAVELENGTH

- A - 850/1300nm
- B - 1310/1550nm
- C - 850nm ONLY
- D - 1300nm ONLY
- E - 1310nm ONLY
- F - 1550nm ONLY

B: MATERIAL / SHELL FINISH

- A - ALUMINUM OLIVE DRAB ZINC PLATING

F: CABLE DIAMETER

- 40: 4.0MM
- 55: 5.5MM

C: NUMBER OF FIBER

- 4 - 4 OPTICAL CHANNEL

G: CONNECTOR TYPE END B

- A - SAME AS END A
- SC - SC TYPE CONNECTOR
- LC - LC TYPE CONNECTOR
- ST - ST TYPE CONNECTOR
- FC - FC TYPE CONNECTOR

D: FIBER TYPE

- 09 - SINGLE MODE(9/125)
- 52 - MULTI MODE(50/125) - OM2
- 53 - MULTI MODE(50/125) - OM3
- 54 - MULTI MODE(50/125) - OM4
- 62 - MULTI MODE(62.5/125) - OM1

H: TOTAL CABLE LENGTH

- 0.5 - 0.5M
- 1 - 1M
- 10 - 10M
- 100 - 100M