

# Connecting Systems with Solutions



## North American Trailer Towing Cables and Connectors Quick Reference Guide

**2025**



ERICH JAEGER



## Connectors for Light Vehicles

<b>4P/12V - Connectors - SAE J1239</b>	<b>4</b>
<b>7+4P/12V - Connectors - SAE J2863, SAE J1239</b>	<b>6</b>
<b>7+12P/12V - Connectors - SAE J3008, SAE J2863</b>	<b>8</b>

## Connectors for Commercial Vehicles

<b>1-2P/12V - Metal Connectors and Cables - SAE J560, SAE J3082</b>	<b>10</b>
<b>7P/12V - Connectors and Cables - SAE J560</b>	<b>14</b>
<b>3-in-1 Electrical and Air Combo Assemblies - SAE J560, SAE J1402A</b>	<b>24</b>
<b>15P/24V - Connectors and Cables - ISO 12098</b>	<b>25</b>

## Connectors for Agricultural Machinery

<b>9P/12V - ISOBUS Connectors - ISO 11783-2</b>	<b>26</b>
<b>4P/12V - Plugs for ISOBUS Sockets</b>	<b>31</b>

## Connectors for Defense Vehicles

<b>Various connector and cable products for military applications DIN 14690, VDA 72594, VG 96 917, STANAG 4074, VG 96 923, VG 96 927</b>	<b>32</b>
--	-----------



All specifications are subject to change  
Only the latest customer drawings are valid. This also applies to contents and revisions of technical standards and guidelines referred to in this catalogue.

JAEGER Expert Sockets



4P/12V socket pigtail kit „JAEGER Expert“ (SAE J1239)

Part No.	153101	153102	153103
Special feature	hinge location left	hinge location right	hinge location left
Included in delivery	contact insert with 4 single wires	contact insert with 4 single wires	contact insert with 4 single wires, mounting bracket, mounting set #10
Packaging	retail bag	retail bag	retail bag

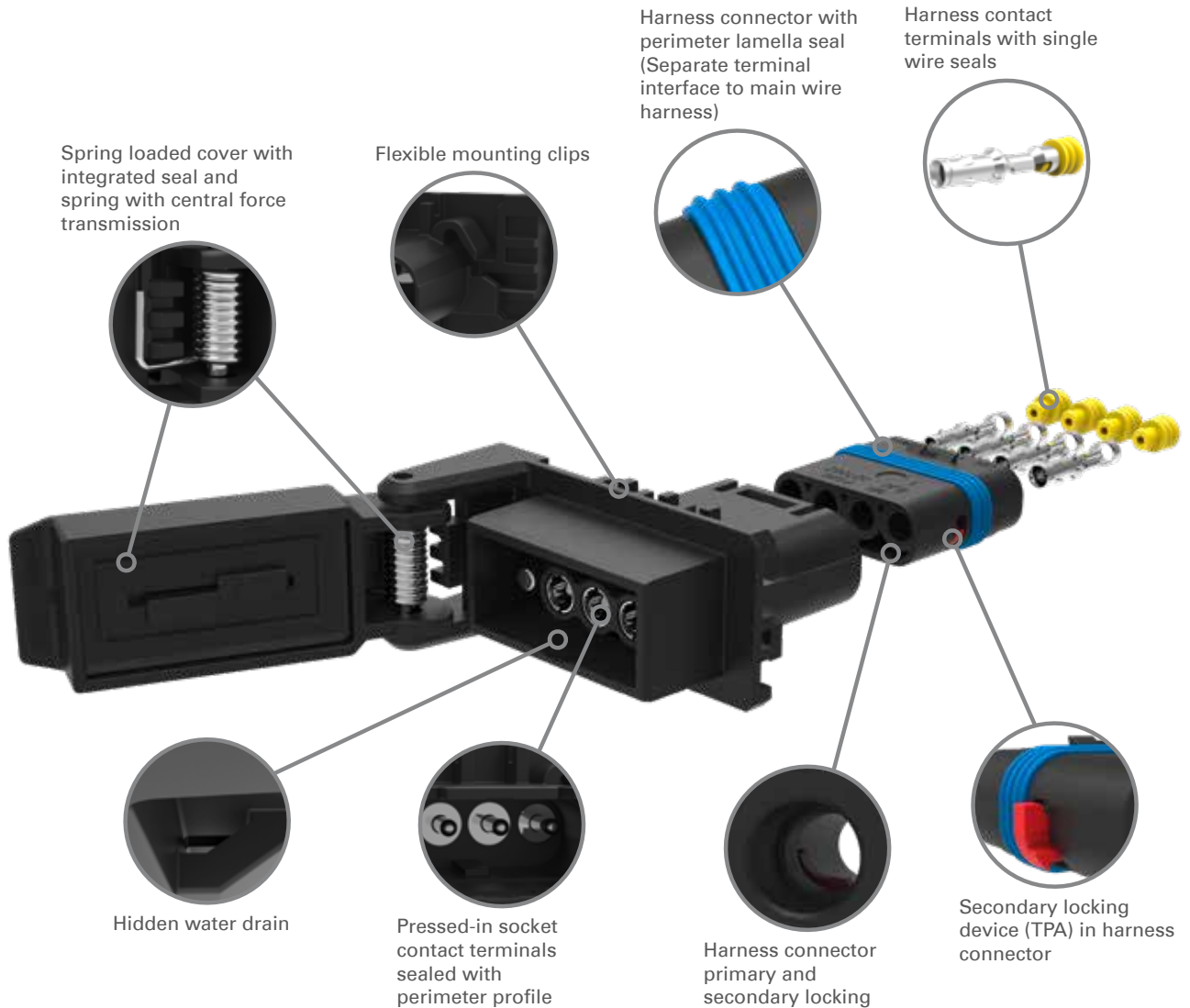


4P/12V 100% waterproof «JAEGER Expert» socket housing (SAE J1239)

Part No.	383348	383351
Special feature	hinge location left	hinge location right
Packaging	bulk packaging	bulk packaging

**YouTube**

SCAN to WATCH



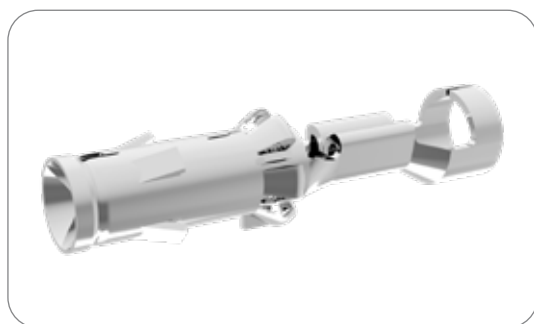


## Additional Parts for JAEGER Expert Sockets



4P/12V 100% waterproof «JAEGER Expert» contact insert (SAE J1239)

Part No.	383109	383397
Special feature	-	with pigtail
Included in delivery	contact insert	contact insert, crimp contact sleeves with cables (4x 2mm <sup>2</sup> )
Packaging	bulk packaging	bulk packaging



Contact socket for 4P/12V watertight socket (SAE J1239)

Part No.	053861-4	052675-4
Contact: for min. wire cross section [in mm <sup>2</sup> ]	0.50	1.00
Contact: for max. wire cross section [in mm <sup>2</sup> ]	1.00	2.50
Packaging	bulk packaging	bulk packaging

## Sockets



4P/12V Socket pigtail with molded cap (SAE J1239)

Part No.	551131	551010
Cable length [in inches]	14	51
Packaging	bulk packaging	bulk packaging

## Plugs



4P/12V Plug pigtail with molded cap (SAE J1239)

Part No.	551036
Cable length [in inches]	98
Packaging	bulk packaging

Sockets



7+4P/12V Combo-Socket (SAE J1239, SAE J2863) with superior water protection

Part No.	101376	101431	101378	101430	101374
Special feature	with water drainage, for vertical mounting	with water drainage, for horizontal mounting	with water drainage, for horizontal mounting	with water drainage, for universal mounting	with water drainage, for universal mounting
Included in delivery	-	installation instructions, screws, mounting bracket	-	installation instructions	-
Packaging	bulk packaging	retail bag	bulk packaging	retail bag	bulk packaging



7+4P/12V - Connectors - SAE J2863, SAE J1239





The new 12P+7P/12V combo-socket by ERICH JAEGER features a 7P/12V socket (SAE J2863) and a 12P/12V socket (standard SAE J3008).

The well known 7-pin system takes over the transmission of light functions between towing vehicle and trailer. The new 12-pin system transmits a lot of special signals of the trailer, such as video signals of the rear camera, CAN-Bus signals or signals of sensors according to PSI5 standard.

### Highlights

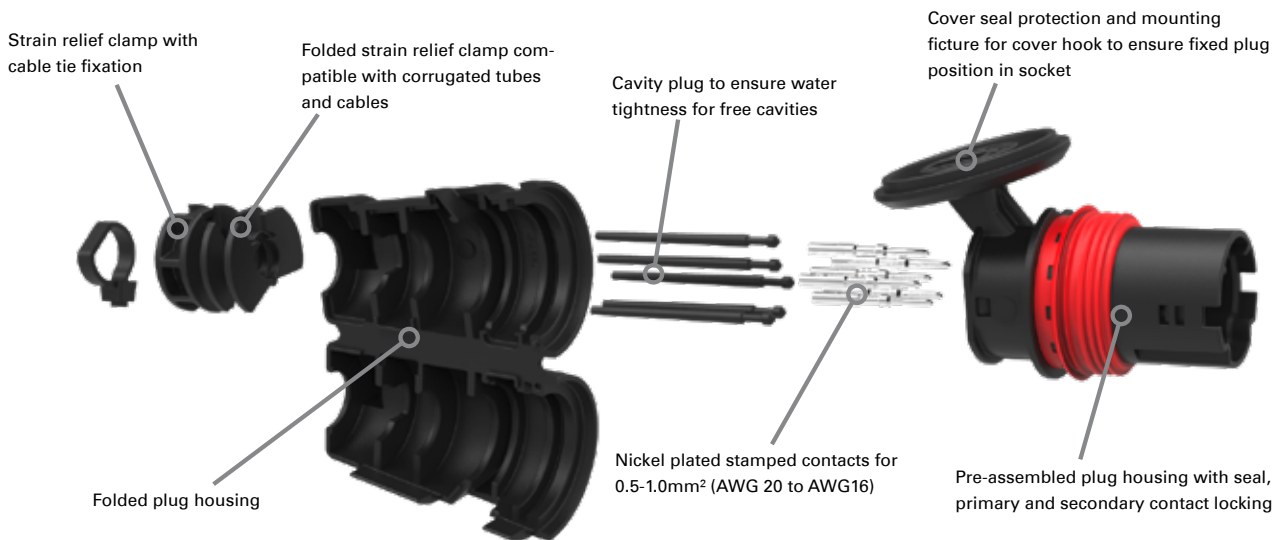
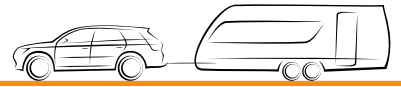
- Exceeds all SAE/USCAR-2 requirements
- Works best from -40°F to 185°F (-40°C to +85°C)
- Combo-socket with known standard SAE J2863 (7P/12V) and new standard SAE J3008 (12P/12V)
- High reliability through extremely resistant connector system
- SAE J3008 connector is waterproofed in plugged and unplugged condition (IPX9K)
- Plug with double contact locking (OE standard) and strain relief
- Easy mounting (socket is ready for „Plug & Play“)

Contact No.	Function
1	Power
2	CAN + H
3	CAN - L
4	PSI5 + Sensor (Peripheral Sensor Interface)
5	PSI5 - Sensor (Peripheral Sensor Interface)
6	Ground
7	Brake
8	Video Ground/Shield
9	Video +
10	Video -
11	N/C
12	N/C



SCAN to WATCH





## 1P Sockets



1P/12V(100A) Socket (SAE J560, SAE J3082) for liftgate operation and battery charging

Part No.	151327	151329
Packaging	retail bag	bulk packaging

## 2P Sockets



2P/12V Socket (SAE J3082)

Part No.	153163	153136
Packaging	retail bag	bulk packaging



2P/12V Socket (SAE J3082)

Part No.	153147	153148
Cable outlet	cable outlet 90°, grommet	cable outlet 180°, grommet
Packaging	retail bag	retail bag



2P/12V Socket (SAE J3082)

Part No.	153152	153151	153150	153149
Cable outlet	dual cable outlet 180°, grommet	dual cable outlet 180°, grommet	dual cable outlet 90°, grommet	dual cable outlet 90°, grommet
Packaging	retail bag	bulk packaging	retail bag	bulk packaging



2P/12V(100A) Socket (SAE J560, SAE J3082) for liftgate and battery charging

Part No.	151326	151328
Packaging	retail bag	bulk packaging



## Additional Parts for Sockets



### 7P socket boot/grommet

Part No.	384219	037828	384220	037829
For cable diameter	10.00mm - 12.80mm	10.00mm - 12.80mm	17.00mm - 21.00mm	17.00mm - 21.00mm
Suitable for	metal socket (101387, 101388, 151326, 151328,	metal socket (101387, 101388, 151326, 151328,	metal socket (151327, 151329, 153125)	metal socket (151327, 151329, 153125)
Packaging	retail bag	bulk packaging	retail	bulk packaging



### Grommet boot

Part No.	384222	038926	384221	038658
Cable outlet	cable outlet 180°	cable outlet 180°	cable outlet 90°	cable outlet 90°
Suitable for	composite socket (153136)	composite socket (153136)	composite socket (153136)	composite socket (153136)
Packaging	retail bag	bulk packaging	retail bag	bulk packaging

Cover seal keeps the socket dry and clean  
 Stainless steel spring for years of service  
 Built-in seal works with any cable plug  
 Special divider adds extra separation between terminals  
 4AWG wires with Eyelet ring terminals  
 Simple assembly and maintenance are perfect for OEM and Aftermarket customers  
 100% overmolded composite housing  
 Boots available in 90° and 180° cable outlet versions  
 Robust and flexible boot material  
 Boot seals to IPX9K at cable and flange to ensure highest water protection  
 Fully overmolded screw terminals  
 Socket designed for use with standard industry 4AWG cables  
 Stainless steel mounting bushings

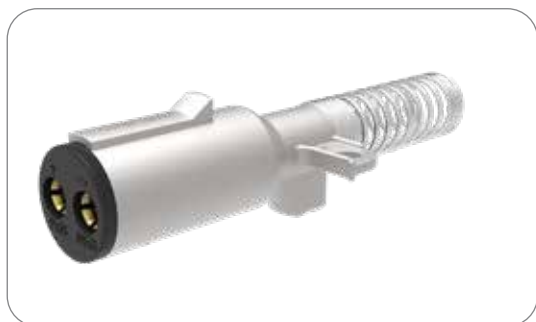
## 1P Plugs



1P/12V(100A) Plug (SAE J560, SAE J3082) for liftgate operation and battery charging

Part No.	251292	251295
Special feature	-	with external ground
Packaging	retail bag	retail bag

## 2P Plugs



2P/12V(100A) Plug (SAE J560, SAE J3082) for liftgate operation and battery charging

Part No.	251290
Packaging	retail bag

## 1P coils



1P/12V Coil (SAE J560, SAE J1128, SAE J3082) adhesive lined heat shrink sealed

Part No.	652880	384203	652208	383382
Working length [in feet]	12.00	12.00	15.00	15.00
Packaging	retail bag	bulk packaging	retail bag	bulk packaging



1P/12V Coil (SAE J560, SAE J1128, SAE J3082) adhesive lined heat shrink sealed

Part No.	652209	383384
Special feature	with external ground	with external ground
Working length [in feet]	15	15
Packaging	retail bag	bulk packaging



## 2P coils



2P/12V Coil (SAE J3082)

Part No.	652862	652882	652704	652881
Working length [in feet]	12.00	12.00	15.00	15.00
Packaging	bulk packaging	retail bag	bulk packaging	retail bag



2P/12V Coil (SAE J560, SAE J1128, SAE J3082) adhesive lined heat shrink sealed

Part No.	652879	384202	652206	383379
Working length [in feet]	12.00	12.00	15.00	15.00
Packaging	retail bag	bulk packaging	retail bag	bulk packaging

## 1P/2P Adapter Coils



1P to 2P / 12V coiled cable adapter (SAE J450, SAE J1128) adhesive lined heat shrink sealed

Part No.	652207	383380
Working length [in feet]	15.00	15.00
Packaging	retail bag	bulk packaging

«WeatherLock™» Sockets (Primary)



7P/12V 100% waterproof «WeatherLock™» Socket (SAE J560 Primary, ABS)

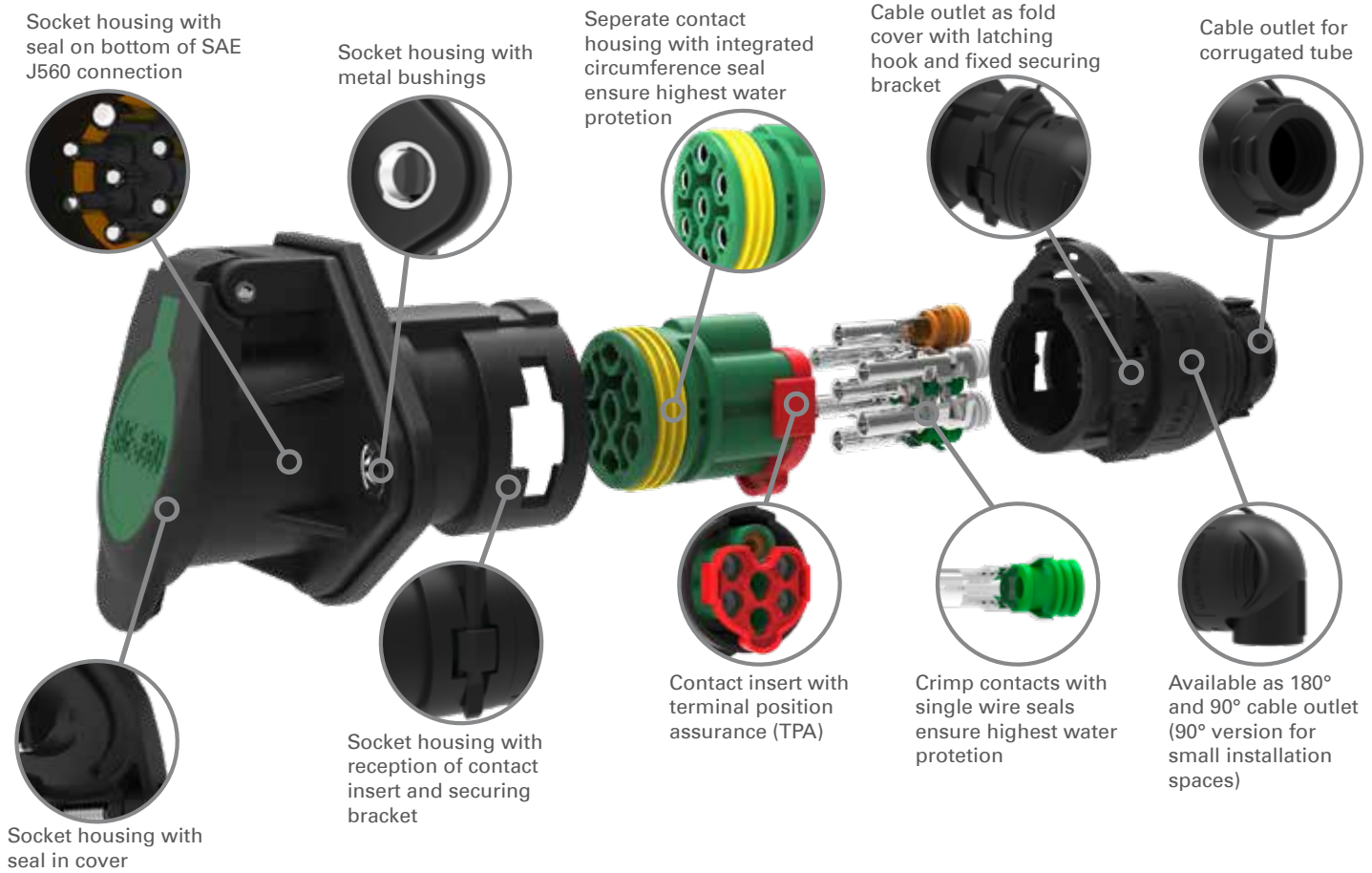
Part No.	101390
Packaging	retail bag

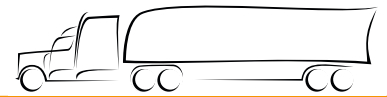


SCAN to WATCH



7P/12V - Connectors and Cables - SAE J560





### 7P/12V 100% waterproof «WeatherLock™» Socket (SAE J560 Primary, ABS)

Part No.	501109	501151	501152	501157
Cable outlet	corrugated tube NW17, cable outlet 180°	corrugated tube NW17, cable outlet 180°	corrugated tube NW17, cable outlet 180°	corrugated tube NW17, cable outlet 180°
Cable length [in inch]	16.5	49.25	16.5	49.25
Packaging	bulk packaging	bulk packaging	retail bag	retail bag



### 7P/12V 100% waterproof «WeatherLock™» Socket (SAE J560 Primary, ABS)

Part No.	501186	501187	501188	501189
Cable outlet	corrugated tube NW17, cable outlet 90°	corrugated tube NW17, cable outlet 90°	corrugated tube NW17, cable outlet 90°	corrugated tube NW17, cable outlet 90°
Cable length [in inch]	16.5	49.25	16.5	49.25
Packaging	bulk packaging	bulk packaging	retail bag	retail bag



### 7P/12V 100% waterproof «WeatherLock™» socket housing (SAE J560 Primary, ABS)

Part No.	382517
Packaging	bulk packaging

## Additional Parts for «WeatherLock™» Sockets (Primary)



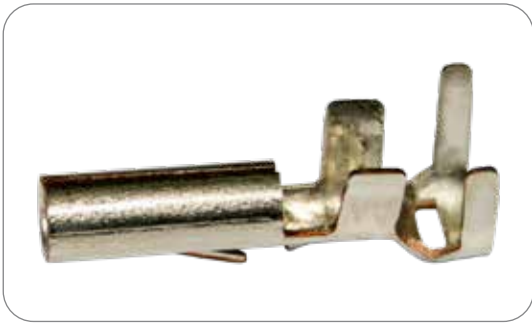
### Single wire seal for JAEGER Expert and WeatherLock™ sockets

Part No.	055648	036556
Contact: for min. wire cross section [in mm <sup>2</sup> ]	1.50	4.00
Contact: for max. wire cross section [in mm <sup>2</sup> ]	2.50	4.00
Packaging	bulk packaging	bulk packaging



### 7P/12V «WeatherLock™» contact insert (SAE J560 Primary, ABS)

Part No.	382567
Packaging	bulk packaging



Contact sleeve for JAEGER Expert and WeatherLock™ sockets

Part No.	034928-4	034927-4
Contact: for min. wire cross section [in mm <sup>2</sup> ]	8.00	3.00
Contact: for max. wire cross section [in mm <sup>2</sup> ]	8.00	5.00
Packaging	bulk packaging	bulk packaging



180° cable exit clamshell

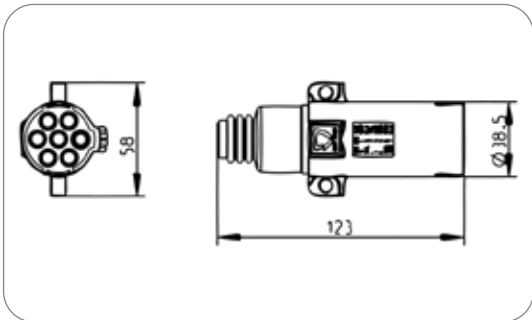
Part No.	382620
Cable outlet	cable outlet 180°, corrugated tube NW17
Packaging	bulk packaging



90° cable exit clamshell

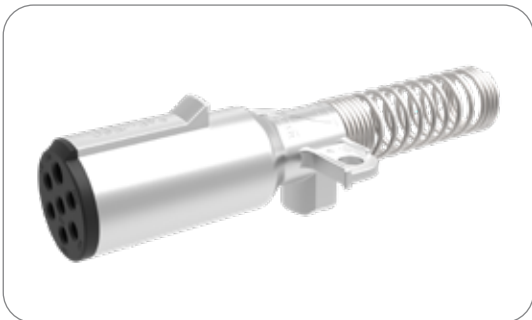
Part No.	382521
Cable outlet	cable outlet 90°, corrugated tube NW17
Packaging	bulk packaging

## Plugs (Primary)



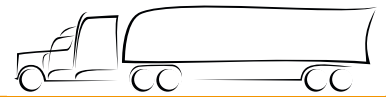
7P/12V Plug (SAE J560 Primary)

Part No.	211217
Packaging	bulk packaging



7P/12V Plug (SAE J560 Primary, ABS)

Part No.	201223
Packaging	retail bag



## Additional Parts for Plugs (Primary)



7P/12V contact insert (plug) (SAE J560 Primary, ABS)

Part No.	383148	383316
Suitable for	metal plug (201223)	metal plug (201223)
Packaging	bulk packaging	retail bag

## JAEGER Expert Sockets (Auxiliary)



7P/12V 100% waterproof «WeatherLock™» Socket (SAE J560 Auxiliary, ABS)

Part No.	101391
Packaging	retail bag



7P/12V 100% waterproof «WeatherLock™» Socket (SAE J560 Auxiliary, ABS)

Part No.	501153	501156	501190	501191
Cable outlet	corrugated tube NW17, cable outlet 180°	corrugated tube NW17, cable outlet 180°	corrugated tube NW17, cable outlet 90°	corrugated tube NW17, cable outlet 90°
Cable length [in inches]	16.5	49.25	16.5	49.25
Packaging	bulk packaging	bulk packaging	bulk packaging	bulk packaging





7P/12V 100% waterproof «WeatherLock™» socket housing (SAE J560 Auxiliary, ABS)

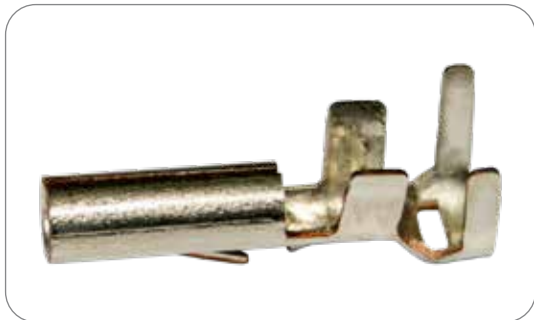
Part No.	382524
Packaging	bulk packaging

## Additional Parts for JAEGER Expert Sockets (Auxiliary)



7P/12V «WeatherLock™» contact insert (SAE J560 Auxiliary, ABS)

Part No.	382566
Packaging	bulk packaging



Contact sleeve for JAEGER Expert and WeatherLock™ sockets

Part No.	034928-4	034927-4
Contact: for min. wire cross section [in mm <sup>2</sup> ]	8.00	3.00
Contact: for max. wire cross section [in mm <sup>2</sup> ]	8.00	5.00
Packaging	bulk packaging	bulk packaging



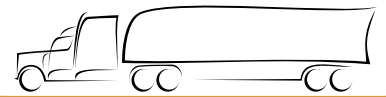
Single wire seal for JAEGER Expert and WeatherLock™ sockets

Part No.	055648	036556
Contact: for min. wire cross section [in mm <sup>2</sup> ]	1.50	4.00
Contact: for max. wire cross section [in mm <sup>2</sup> ]	2.50	4.00
Packaging	bulk packaging	bulk packaging



180° cable exit clamshell

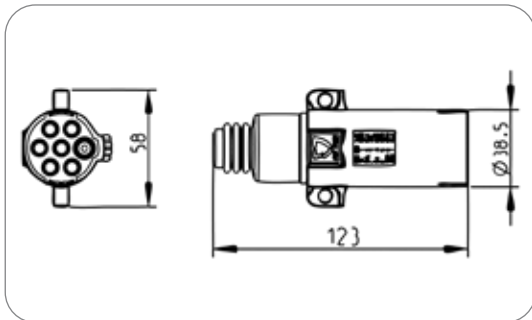
Part No.	382620
Cable outlet	cable outlet 180°, corrugated tube NW17
Packaging	bulk packaging



90° cable exit clamshell

Part No.	382521
Cable outlet	cable outlet 90°, corrugated tube NW17
Packaging	bulk packaging

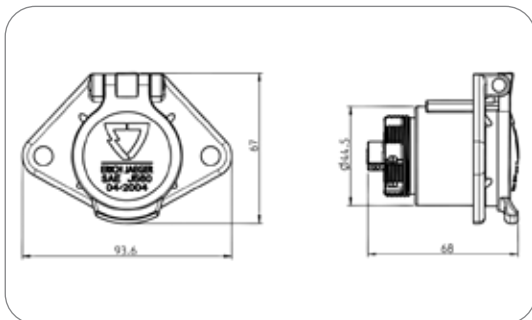
## Plugs (Auxiliary)



7P/12V Plug (SAE J560 Auxiliary, ABS)

Part No.	211110
Packaging	bulk packaging

## JAEGER Classic Sockets (Primary)



7P/12V Socket (SAE J560 Primary, ABS)

Part No.	101331
Packaging	bulk packaging



7P/12V Socket (SAE J560 Primary, ABS)

Part No.	101388	101387	101428
Included in delivery	-	flat grommet	180° grommet boot
Packaging	bulk packaging	retail bag	retail bag

## Additional Parts for JAEGER Classic Sockets (Primary)



7P/12V contact insert (SAE J560 Primary, ABS)

Part No.	383144	383315
Suitable for	metal socket (101388, 101387, 101428)	metal socket (101388, 101387, 101428)
Packaging	bulk packaging	retail bag



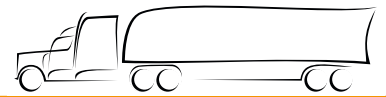
7P seal/boot for cable termination area

Part No.	036384	384218
Suitable for	all sockets (except part no. 111010, 111017, 101390, 101391)	all sockets (except part no. 111010, 111017, 101390, 101391)
Packaging	bulk packaging	retail bag



7P socket boot/grommet

Part No.	384219	037828	384220	037829
For cable diameter	10.00mm - 12.80mm	10.00mm - 12.80mm	17.00mm - 21.00mm	17.00mm - 21.00mm
Suitable for	metal socket (101387, 101388, 151326, 151328)	metal socket (101387, 101388, 151326, 151328)	metal socket (151327, 151329)	metal socket (151327, 151329)
Packaging	retail bag	bulk packaging	retail bag	bulk packaging



## Cables (Primary)

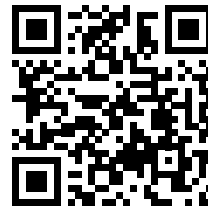


7P/12V «ExperTech™» Straight Cable (SAE J560 Primary)

Part No.	601113	601119	601114	601120	601093	601121
Cable length [in feet]	8.00	8.00	10.00	10.00	12.00	12.00
Packaging	bulk packaging	retail bag	bulk packaging	retail bag	bulk packaging	retail bag

Part No.	601116	601122	601094	601123	611231	611261	601118	601124
Cable length [in feet]	13.50	13.50	15.00	15.00	18.00	18.00	20.00	20.00
Packaging	bulk packaging	retail bag	bulk packaging	retail bag	bulk packaging	retail bag	bulk packaging	retail bag

Discover the superior quality of the ExperTech™ cables with plugs made of reinforced composite



SCAN to WATCH

## Coils (Primary)



7P/12V «ExperTech™» Coil (SAE J560 Primary, ABS)

Part No.	601110	601107	601111	601108	601112	601109
Working length [in feet]	12	12	15	15	15	15
Cable lead [in inches]	2x 12	2x 12	2x 12	2x 12	1x 12, 1x 48	1x 12, 1x 48
Packaging	retail bag	bulk packaging	retail bag	bulk packaging	retail bag	bulk packaging

## Coils (Auxiliary)



7P/12V «ExperTech™» Coil (SAE J560 Auxiliary, ABS)

Part No.	611266	611223	611265	611225
Working length [in feet]	12	12	15	15
Packaging	retail bag	bulk packaging	retail bag	bulk packaging

## Adapters



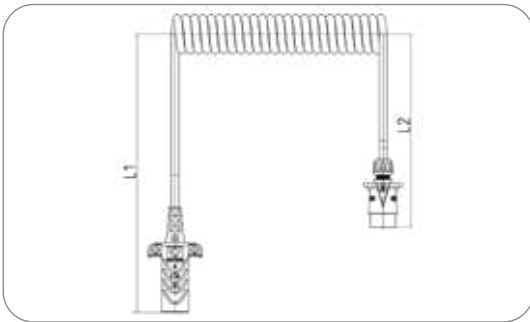
Adapter cable with 7P/12V plug (ISO 1724) and 7P/12V socket (SAE J560)

Part No.	651545
Cable length [in feet]	4
Packaging	bulk packaging



Short adapter cable with 7P/12V plug (SAE J560) and 7P/12V coupler (ISO 1724)

Part No.	701016
Cable length [in feet]	1
Packaging	bulk packaging



Adapter coil with 7P/12V plug (ISO 1724) and 7P/12V plug (SAE J560)

Part No.	711247	711248
Special feature	L1 = 10"   L2 = 10"	L1 = 50"   L2 = 10"
Max. extension length [in feet]	15.00	15.00
Packaging	bulk packaging	bulk packaging



Cables



3in1 Adapter - 7 Way Cable SAE J560 with Air Brake Hose acc. SAE J1402A  
Set includes gladhands

Part No.	601104	601105
Cable length [in feet]	12	15
Packaging	retail bag	retail bag

Abrasion-resistant wrap protects the air lines and electric cable

Stainless steel clamp & carabiner clip are durable and long-lasting

Gladhands are included in each 3-in-1 set

3/8" ID SAE J1402 rubber air lines

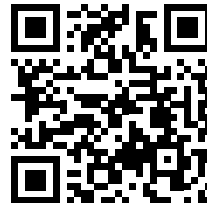
Ergonomic strain relief grips are color-coded for proper installation

Fully overmolded 7-pin SAE J560 plugs provide superior strength, protection and longevity

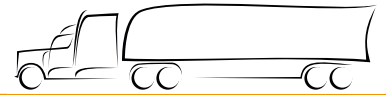
Discover the superior quality of the ExperTech™ cables with plugs made of reinforced composite



YouTube



SCAN to WATCH



## JAEGER Expert sockets



15P/24V 100% waterproof «JAEGER Expert» Socket (ISO 12098 ADR)

Part No.	141247
Included in delivery	contact insert, crimp contact pins, single wire seals, corrugated tube cap for NW13 (90° out), corrugated tube cap for NW13 (180° out)
Packaging	bulk packaging

## Coils



15P/24V 125°C Coil (ISO 12098 ADR)

Part No.	641328
Working length [in feet]	10
Packaging	bulk packaging

## Adapters



Economy adapter coil with 15P/24V plug (ISO 12098) and 2x 7P/24V composite plugs (ISO 1185 + ISO 3731)

Part No.	711213
Max. extension length [in feet]	11,5
Packaging	bulk packaging

Sockets



9P/12V «ISOBUS (IBBC) 150 Active» Socket (ISO 11783-2) Breakaway Connector - Active

Part No.	151234
Packaging	bulk packaging



9P/12V «ISOBUS (IBBC) 150 Passive» Socket (ISO 11783-2) Breakaway Connector - Passive

Part No.	151236
Packaging	bulk packaging



9P/12V «ISOBUS (IBBC) 120» Socket (ISO 11783-2) Breakaway Connector

Part No.	153110
Packaging	bulk packaging



9P/12V «ISOBUS (IBBC) 150 Passive CM» Socket (ISO 11783-2) Breakaway Connector - Passive

Part No.	151232
Packaging	bulk packaging



9P/12V «Pass-Through» Socket (ISO 11783-2)

Part No.	153109
Packaging	bulk packaging



## Additional Parts for Sockets



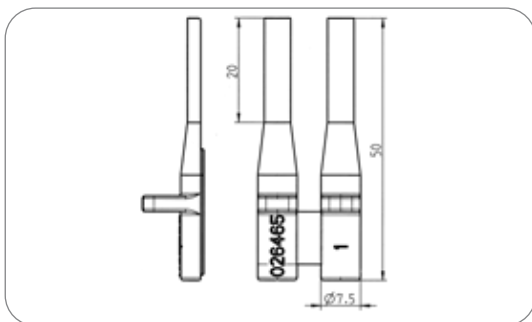
Terminating bias circuit (TBC)

Part No.	321096
Packaging	bulk packaging



Contact sockets for 4P Connector, ECU/Pass-Through for ISOBUS socket (IBBC - Breakaway Connector), on tractor side

Part No.	382100	383113	382101	382166
Contact: for max. wire cross section [in mm <sup>2</sup> ]	2.50	6.00	10.00	16.00
Packaging	bulk packaging	bulk packaging	bulk packaging	bulk packaging



9P/12V «ISOBUS (IBBC)» unlocking tool for contact sleeves (ISO 11783-2)

Part No.	026465	026464
Suitable for	contact sleeve (part no. 382100)	contact sleeve (part no. 382101)
Packaging	bulk packaging	bulk packaging



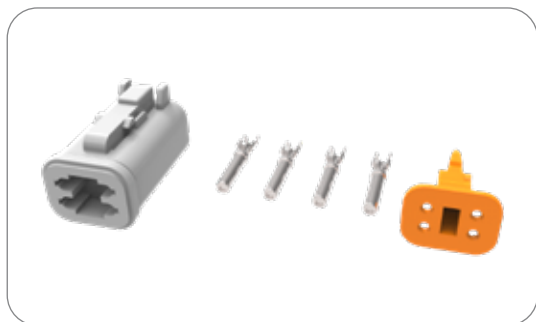
Corrugated tube cap for ISOBUS socket (IBBC - Breakaway Connector), on tractor side

Part No.	026030
Packaging	bulk packaging



Corrugated tube cap for ISOBUS socket (IBBC - Breakaway Connector), on tractor side

Part No.	026461
Packaging	bulk packaging



Data bus plug set for ISOBUS socket (IBBC - Breakaway Connector - ISO 11783-2), on tractor side

Part No.	151289
Packaging	bulk packaging



Punch contact sockets for housing 4P for ISOBUS socket (IBBC - Breakaway Connector), on tractor side

Part No.	056963-3
Contact: for min. wire cross section [in mm <sup>2</sup> ]	0.50
Contact: for max. wire cross section [in mm <sup>2</sup> ]	1.00
Packaging	bulk packaging

## Parking Sockets



9P/12V «ISOBUS» parking socket (ISO 11783-2) Breakaway Connector - fits for all ISOBUS 9P plugs

Part No.	151280
Packaging	bulk packaging



## Plugs



9P/12V «ISOBUS (IBIC)» Plug (ISO 11783-2) Implement Connector

Part No.	251271	251284	251315	251297	251279
Included in delivery	seal, contacts	seal, contacts	seal, contacts	seal, contacts	contacts
Cable outlet	-	-	-	corrugated tube NW19	-
Size of plug-in contacts	4x 0.5mm <sup>2</sup> + 2x 2.5mm <sup>2</sup> + 2x 6mm <sup>2</sup> (PWR)	4x 0.5mm <sup>2</sup> + 2x 2.5mm <sup>2</sup> + 2x 10mm <sup>2</sup> (PWR)	4x 0,5mm <sup>2</sup> + 2x 2,5mm <sup>2</sup> + 2x PWR (2x 6mm <sup>2</sup> / 2x 10mm <sup>2</sup> )	4x 0.5mm <sup>2</sup> + 2x 2.5mm <sup>2</sup> + 2x 16mm <sup>2</sup> (PWR)	4x 0,5mm <sup>2</sup> + 2x 2,5mm <sup>2</sup>
For cable diameter	15,00mm - 18,00mm	15,00mm - 18,00mm	15,00mm - 18,00mm	-	-
Packaging	retail bag	retail bag	retail bag	retail bag	retail bag

## Additional Parts for Plug



9P/12V «ISOBUS (IBIC)» contact mat seal with PWR contacts (ISO 11783-2)

Part No.	382759	382760	382761
Contact: for max. wire cross section [in mm <sup>2</sup> ]	6.00	10.00	16.00
Contact insert color	green	blue	red
Packaging	bulk packaging	bulk packaging	bulk packaging



9P/12V «ISOBUS (IBIC)» Seal (ISO 11783-2)

Part No.	037443	037444	037446
For cable diameter	15,00mm - 18,00mm	-	-
Cable outlet	-	corrugated tube NW13	corrugated tube NW19
Suitable fo	plug (part no. 251279)	plug (part no. 251279)	plug (part no. 251279)
Packaging	bulk packaging	bulk packaging	bulk packaging



Sealing cap for 9P ISOBUS (IBIC) plug implement connector

Part No.	037447
Packaging	bulk packaging



Bayonet ring for 9P ISOBUS (IBIC) plug with breakaway function

Part No.	026871
Packaging	bulk packaging

## Cables



9P/12V «ISOBUS (IBIC)» Cable (ISO 11783-2) Implement Connector

Part No.	652223	652224	652218	652219	652220	652222
Cable length [in m]	2.00	5.00	1.50	2.50	5.00	10.00
Wire cross-sectional area	6mm <sup>2</sup>	6mm <sup>2</sup>	10mm <sup>2</sup>	10mm <sup>2</sup>	10mm <sup>2</sup>	10mm <sup>2</sup>
Packaging	bulk packaging	bulk packaging	bulk packaging	bulk packaging	bulk packaging	bulk packaging



4P plug kit for ISOBUS socket (IBBC - ISO 11783-2) Breakaway Connector

Part No.	251266
Included in delivery	1x 4P plug, terminals (2x 16mm <sup>2</sup> + 2x 10mm <sup>2</sup> + 2x 2.5mm <sup>2</sup> ), corrugated tube cap for NW19 (90° out)
Packaging	bulk packaging



4P plug kit for ISOBUS socket (IBBC - ISO 11783-2) Breakaway Connector

Part No.	251265
Included in delivery	1x 4P plug, contact sleeves (2x 10mm <sup>2</sup> + 2x 2.5mm <sup>2</sup> )
Packaging	bulk packaging

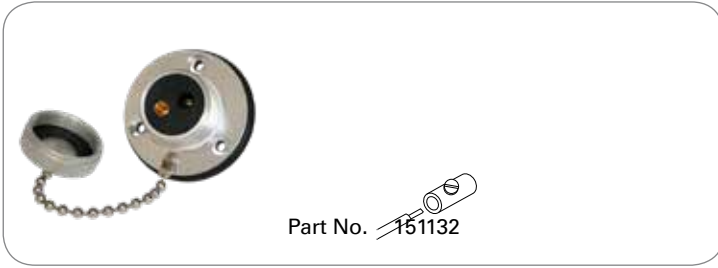


4P Plug ECU/Pass-Through for ISOBUS socket (IBBC - Breakaway Connector), on tractor side

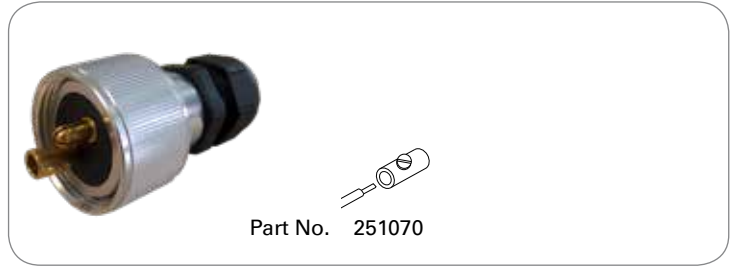
Part No.	382167
Packaging	bulk packaging

2P/6-42V(30A) - Connectors - DIN 14690

Socket

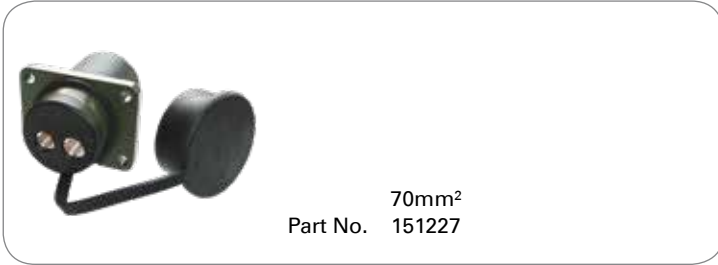


Plug / Conector para remolques



2P/24V - Connectors - VDA 72594

Socket



Plug

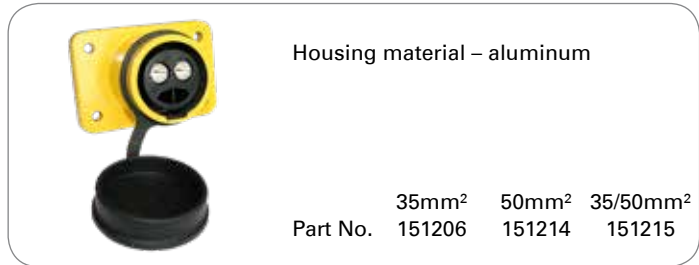
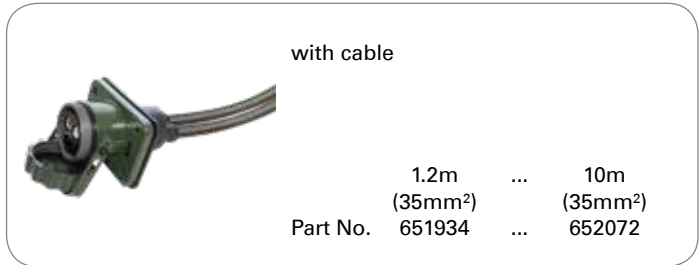


Cable / Cable



2P/24V - Connectors - VG 96917

Sockets



Various connector and cable products for military applications



### Additional parts for sockets



Seal

Part No. 382376

### Coil



VG 96927-12

	4.0m	6.0m
Part No.	652092	652093

### Plugs



	35mm <sup>2</sup>	50mm <sup>2</sup>
Part No.	251097	251098



	35mm <sup>2</sup>	50mm <sup>2</sup>
Part No.	251095	251096



	35mm <sup>2</sup>	50mm <sup>2</sup>
Part No.	251269	251270



	35mm <sup>2</sup>	50mm <sup>2</sup>
Part No.	251200	251201



	35mm <sup>2</sup>	50mm <sup>2</sup>
Part No.	251226	251227

### Cables / Cables



VG 96927-12  
with coupler  
con acoplador

	3.5m	...	30.0m
	(35mm <sup>2</sup> )		(35mm <sup>2</sup> )
Part No.	651594	...	651911



VG 96927-12

	5.0m
	(50mm <sup>2</sup> )
Part No.	652212



VG 96927-12  
with coupler  
con acoplador

	3.5m	...	30.0m
	(35mm <sup>2</sup> )		(35mm <sup>2</sup> )
Part No.	651912	...	651918



with battery clamps  
con terminal de batería

	1.4m	8.0m
	(35mm <sup>2</sup> )	(35mm <sup>2</sup> )
Part No.	651939	651942

## 2P/24V - Connectors - STANAG 4074

### Socket



70mm<sup>2</sup>  
Part No. 151321

### Plug



70mm<sup>2</sup>  
Part No. 251289

### Cable



6.0m  
Part No. 652076

## 12P/24V - Connectors - VG 96923

### Sockets



style A, with contact pins

Part No. 151150



style A, with contact sockets

Part No. 151151



style M, with contact pins

Part No. 153131




style M, with contact sockets

Part No. 153108

Various connector and cable products for military applications




**Plugs**



style B, with contact pins

	B1-12P	B2-12P
	24mm	17mm
Part No.	251203	251206



style B, with contact sockets

	B1-12S	B2-12S
	24mm	17mm
Part No.	251202	251205



style G, with contact pins

	green housing	black housing
Part No.	251330	251331



style G, with contact sockets

	green housing	black housing
Part No.	251328	251329

**Coiled Cables / Bobinas**



VG 96927-22  
with contact pins  
con clavijas de contacto

	4.7m
Part No.	651940



VG 96927-22  
with contact sockets  
con casquillos de contacto

	4.7m
Part No.	651557



VG 96927-22  
with contact pins/sockets

	4.7m
Part No.	651558

**Straight Cables / Cables rectos**



VG 96927-22  
with contact pins

	1.3m	...	4.3m
Part No.	651573	...	651579



VG 96927-22 B  
with contact pins

	1.2m	...	4.2m
Part No.	651559	...	651565

Various connector and cable products for military applications



**Erich Jaeger USA Inc.**

17199 North Laurel Park Dr  
Suite 105  
48152 Livonia, MI, USA

Phone + 1 734 404 5940  
Fax + 1 734 404 5736  
sales-usa@erich-jaeger.com  
www.erich-jaeger.com