

USB3CF TV Memory Keys

USB3.2 Gen1 Type-C Reinforced Memory Keys for data storage in harsh environment



www.powell.com



800-235-7880



pcdinfo@powell.com

Description

USB3.2 Gen1 Type C reinforced memory keys allows you to carry sensitive information in total security in harsh military, avionics/airframe or industrial environment. Its design, based on MIL-DTL-38999 series III can only be mated to our USB3CF TV receptacles and is available, as standard, in capacities from 16 to 256Gb.

Electronics used in our reinforced USB keys are from the latest generation, using TLC 3D flash technology (BiCS3) and benefit from PLM "Product Life Management" which means that we can inform about future evolution and obsolescence.

Main features

Main characteristics :

- Available capacities : 16, 32, 64, 128 & 256Gb.
- Compatible only with USB3CF TV receptacles.
- Tri Start Thread coupling mechanism (MIL-DTL-38999 series III type) with anti-decoupling device.
- Shell size 11.
- PLM "Product Life Management" : future evolution and obsolescence notification.

Data transmission :

- USB3.2 Gen1 max transfer rate : 5 Gb/s.
- Compatible with USB2.0 transfer with 480Mb/s.
- TLC 3D flash technology (BiCS3).
- MTBF: >4 000 000 hours.
- Global Wear Leveling.
- Flash bad-block management.

Environmental protection :

- Sealed against fluids and dusts : IP68 mated.
- Salt spray: Aluminium shell :
 - Nickel plating ✓ : 48h.
 - Black zinc nickel plating ✓ : 500h.
 - Olive drab cadmium plating : 500h
 - Tin-zinc plating ✓ : 500h.
- Vibrations: MIL-STD-810-H, Method 514.8, Category 14.
- Temperature range: - 40°C / +85°C (MIL-STD-810F).
- Data transmission during vibration & temperature tests.

✓ : RoHS compliant

Markets & Applications



C5ISR, Battlefield,
Ground Vehicles



Navy



Railway



Applications :

- Data acquisition and transmission in harsh environment, radars, shelters, battlefield communication

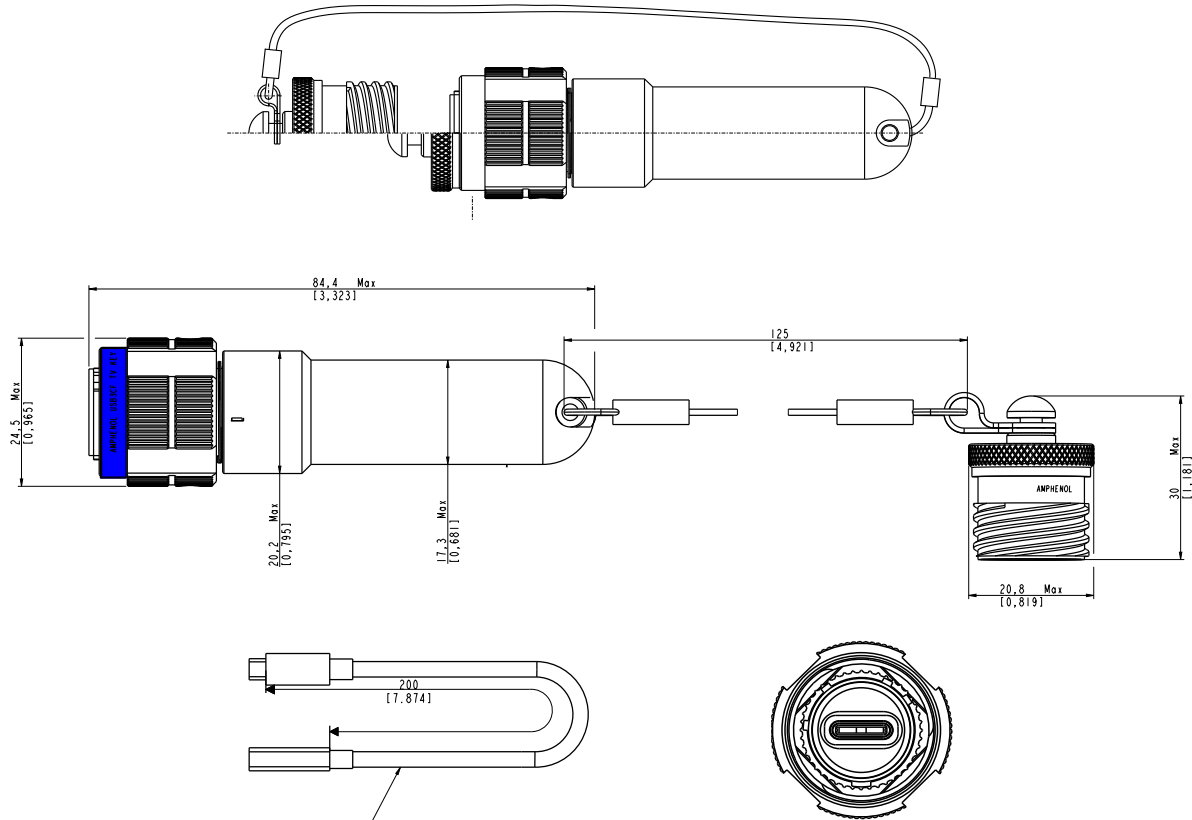
USB3CF TV Memory Keys

Overall dimension

USB3CF TV Memory Keys

X: see the 'How to order' below to complete your part number

Part number type: **USB3CF TV KEY 6 XX X XXX**



Câble spécifique USB type-C Mâle/femelle fourni pour connexion sur embase non renforcée
 USB type-C Male/female cable provided for connection to non-reinforced type-C receptacle

USB3CF TV Memory Keys

How to order - Connector

1.	2.	3.	4.
Series	Capacity	Material and plating	Protective cap
USB3F TV KEY 6	32	G	Protective cap

1. Series

USB3F TV KEY 6 USB3 FTV Memory Keys

2. Capacity

16	16 Gb
32	32 Gb
64	64 Gb
128	128 Gb
256	256 Gb

3. Material and plating

	Shell material	Shell finish
G	Aluminum	Olive drab cadmium
N		Nickel ✓
ZN		Black zinc nickel ✓
TZ		Tin Zinc ✓

4. Protective cap


	Without Cap
CAP	With Cap


✓ : RoHS compliant



Discover a selection of products compatible with your USB3CF TV Memory Key :


USB3CF TV






- Shell size 11
- EMI shielding guarantee
- Receptacle and plug fully reversible
- Power delivery; Video; USB3.2

CapLock & PlugLock





- 3D Printed with composite material
- Locking accessories for 38999; RJFTV; USBFTV series
- Used for cybersecurity & user safety

