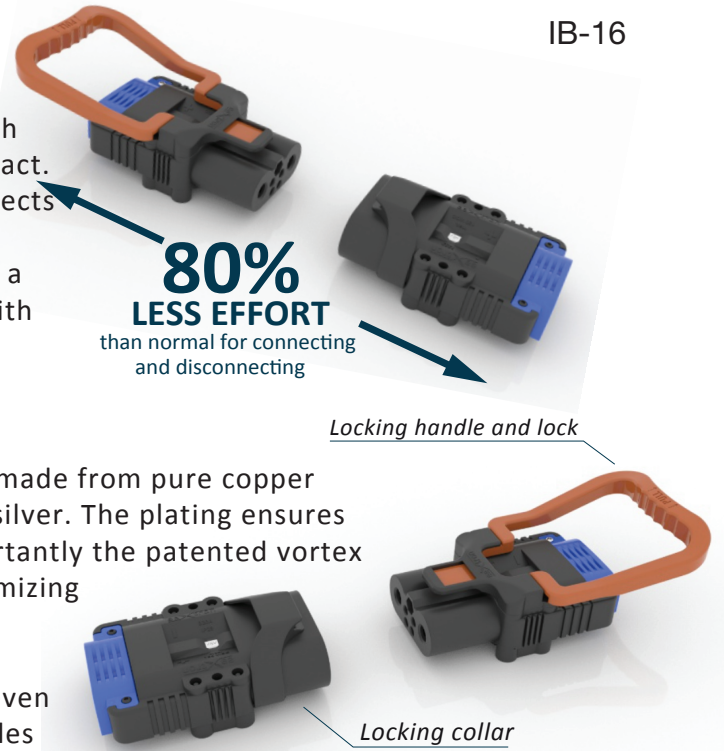


EFFORTLESSNESS

Amphenol Industrial Operations (AIO) has partnered with Eaxtron who has designed a state of the art female contact. The patented Vortex Clip™ significantly improves all aspects of the connection interface. Not only does the unique spiraling shape allow for more contact points, providing a higher rate of conductivity, it also facilitates coupling with eighty percent less effort than the industry standard!



DURABILITY

Amphenol Industrial Operations / Eaxtron contacts are made from pure copper (Cu11 000) and plated with an industry leading 6um of silver. The plating ensures minimal wear and tear on the contact. Even more importantly the patented vortex clip significantly reduces coupling friction, further maximizing the lifetime of the contact.

Polyamide material guarantees robust performance in even the toughest of working conditions. These flexible handles are highly durable, so you can avoid the most common cause and cost of early replacement, broken handles.

By virtue of these innovations, the initial results of ongoing tests show that an AIO connector lasts up to twelve thousand cycles, more than double the industry standard.

SAFETY

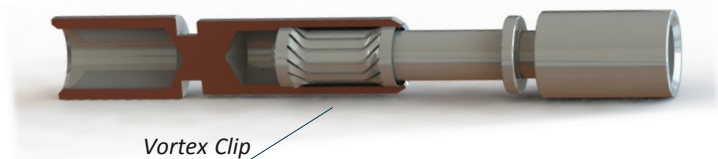
Amphenol Industrial Operations' product has Eaxtron designed and patented locking mechanisms that work in conjunction with the user to provide an arcless experience. Additionally the unique design of the female contacts and durable housing nullifies all 'inevitable' arcs. When the connector is load bearing the patented design manages and safely disperses arcs within the connector carriage. All of this innovation allows the user to operate in a truly arcless environment, with none of the risks traditionally posed to both individuals and equipment.

The color coded system prevents non-compatible connection by clearly classifying by color different voltages and applications.

EFFICIENCY

The Vortex Clip™ guarantees a safer and easier connection, it also allows for a higher rate of conductivity.

The highly innovative contact loader, allows you to attach wired pilots, auxiliaries, and main contacts faster than ever before, directly to the connector.



Please contact us at eaxtron@amphenol-aio.com for more information.



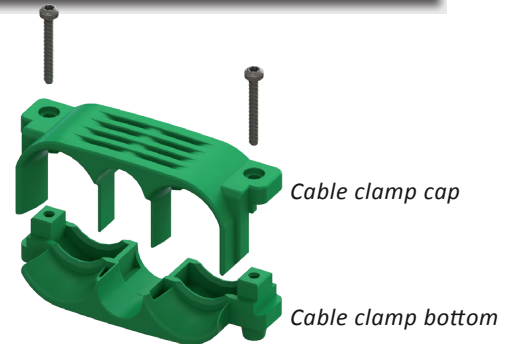
COLOR CODED CABLE CLAMPS

Identify battery voltages easily thanks to the color coded cable clamps. In addition to the coding pins, AIO's cable clamps allow you to track different battery voltages and types from a distance to avoid any mismatch in use.

Kit of Cable Clamp:

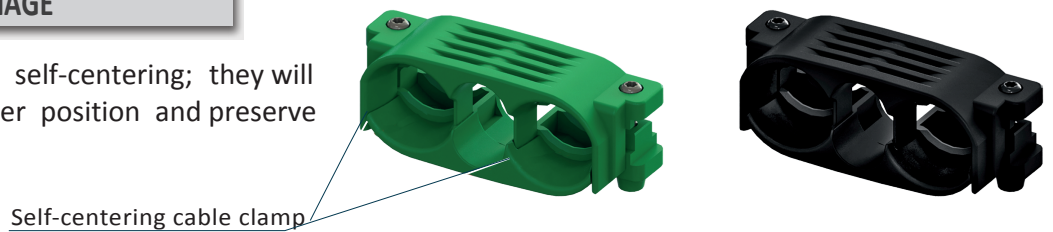
24 V	36 V	48 V	72 V	80 V
Red	Grey	Blue	Green	Black

The cap and bottom cable clamps are the same for males and females, and available for 160A, 320A and 430A connectors.



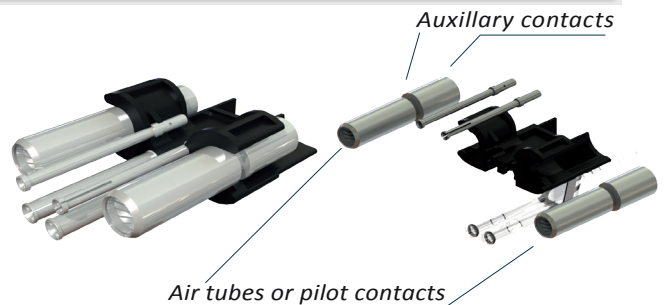
RELIABLE: PREVENT CABLE DAMAGE

AIO's cable clamps are also self-centering; they will maintain your wires in proper position and preserve the integrity of the cable.



ONE LOADER FOR ALL OUR CONTACTS

The clip on contact loader to make wiring the connectors easier. After crimping or soldering contacts to wires, one needs to only clip them (including auxiliaries, air tubes & pilot contacts) to the contact loader to be clipped securely as one in the housing. **Reliable. Safe & Easy.**



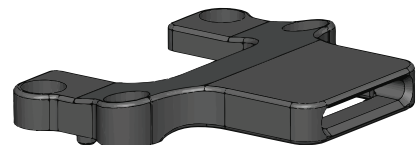
NO ADDITIONAL PIECES

Everything you need comes ready with instructions for you or your customers to safely install the connectors. No additional adaption is required. Simply install, safely use & reliably trust these patented battery connectors.



LOCKING ADAPTOR

The locking adaptor makes the handle interoperable and easily affixed on the Male or Female Connector & DSC Solution.



Please contact us at eaxtron@amphenol-aio.com for more information.

HOW TO ORDER

Connector (please choose one code per position, below)

1	2		3		4		5		6		
Connector Kit	Current Capability		Contact Gender		Handle Length		Handle		Wire Size		
K (Eaxtron Series)	160	160 A	F	Female/ Vortex Clip™ Socket	S	Short (Female Only - Optional)	H	Standard (Female Only - Required)	1/0	1/0 (50mm ²)	Available for 160 and 320
	320	320 A							2/0	2/0 (70mm ²)	Available for 320 only
	430	430 A	M	Male/Pin	Left blank for Male/Pin Gender			3/0	3/0 (95mm ²)		
								4/0	4/0 (120mm ²)	Available for 320 and 430	

Example: K160M1/0 (Eaxtron Connector Plug Kit; 160A rated; Male Pin; 1/0 Wire Size); K320FSH4/0 (Eaxtron Connector Socket Kit; 320A rated; Female Socket; w/ Short Handle; 4/0 Wire Size); K320FH2/0 (Eaxtron Connector Socket Kit; 320A rated; Female Socket; Standard Handle; 2/0 Wire Size)

Cable Clamp and Accessories

1	2		3	
Cable Clamp	(Color / Voltage) or Clamp Screws		Current Capability	
CC (Eaxtron Cable Clamp)	RD	Red= 24v	160	160 A
	GY	Grey= 36v	320	320A / 430A
	BE	Blue= 48v		
	GR	Green= 72v		
	BK	Black= 80v		
	Screws			
1000	Standard Cable Clamp Screws (package of 50)			
2000	Max Cable Screws- 320A connectors (package of 50)			

Examples: CCBK320 (Cable Clamp; Black 80V; 320 Amps) or CC1000 (Standard Cample Clamp Screws)

Handles

1	2	
Handle Type	Current Capability	
LHDOR	Long Handle	160 160 A
LPHDOR	Low Profile Short Orange Handle	320 320A / 430A
LHM	Handle	

Example: LPHDOR160 (Low Profile Short Orange Handle; 160 Amps)

Contacts

Part Number	Description
Main Contacts	
FMC1607	Female Main Contacts 160A, 50mm ² AWG 1/0, (Pk of 2)
MMC1606	Male Main Contacts 160A, 50mm ² AWG 1/0, (Pk of 2)
MMC3200	Male Main Contacts 320A, 50mm ² AWG 1/0, (Pk of 2)
MMC3202	Male Main Contacts 320A, 70mm ² AWG 2/0, (Pk of 2)
MMC3204	Male Main Contacts 320A, 95mm ² AWG 3/0, (Pk of 2)
MMC3206	Male Main Contacts 320A, AWG 4/0, (Pk of 2)
Auxiliary Pilot & Auxiliary Contacts	
AXP1000	160A Male Auxiliary Pilot & Auxiliary Contacts Kit
AXP1001	160A Female Auxiliary Pilot & Auxiliary Contacts Kit
AXP1002	320A Male Auxiliary Pilot & Auxiliary Contacts Kit
AXP1003	320A Female Auxiliary Pilot & Auxiliary Contacts Kit

Accessories

1	2	
Accessory	Current Capability	
CL	Contact Loader	160 160 A
MH	Male Housing	320 320A / 430A
FH	Female Housing	
CV	Locking Collar	

Example: CL160 (Contact Loader; 160 Amps)

Double Stack Connector Kits

Part Number	Description
DSCKITP	DSC Plug Kit
DSCKITS	DSC Socket Kit

Coding Keys

Part Number	Description
CK1000	Coding Keys, (Pk of 12)

Tools

Part Number	Description
OSHA	OSHA Plate
E2CT1000	Lithium Crimper with Full Set of 6W-Dies
CCT1000	Hand Crimping Tool with Full Set of 6W-Dies



Please contact us at eaxtron@amphenol-aio.com for more information.